

HOME PRODUCTS GALLERY  
 INSTALLATION & OPERATION FAQ CONTACT

### FIREPLACE FEATURES

- Simple 2- or 3-piece mortarless assembly
- Engineered with high-strength reinforced lightweight concrete, to stand the test of time
- Fire brick pre-installed
- No frost footings required in colder climates
- Wood storage and grill accessories available
- Add custom finish to match your surroundings

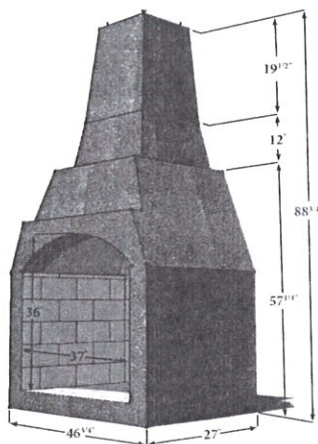
Add warmth and elegance to any outdoor space with a unique King Of Hearths outdoor fireplace. No other outdoor fireplace matches the easy set up and quality construction.

*\* Stress Cracks in fireplaces and ovens are micro fractures that are a normal occurrence that do not affect the structural integrity of the unit and are not grounds for rejection.*

### STONE VENEER



### RETAINING WALL VENEER



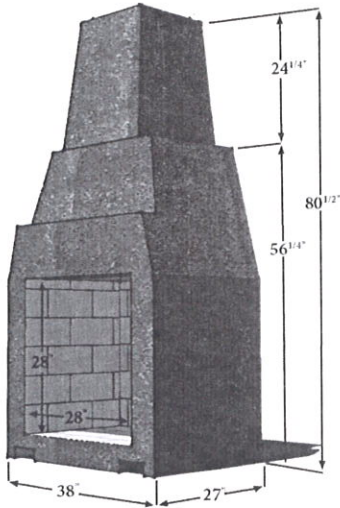
### KING ARTHUR 46" Outdoor Fireplace (3-piece)

# 0437606

- Simple 3-piece mortarless design makes set up quick and easy
- Extra large fire box opening
- Fork lift pockets built into precast concrete form
- Protective fire brick pre-installed
- Spark arrester mount set in precast chimney
- Ready to be finished with stone, brick or stucco for a custom look
- Accessories available

[Strassen Wall Layer Patterns \(assets/files/king-arthur-layers.pdf\)](assets/files/king-arthur-layers.pdf)

**Weight:** 2065 lbs  
**Angle Iron Length:** 48"  
**Stone Veneer:** 63 sq ft  
**Stone Veneer Corners:** 36 lin ft  
**Sparker Cap Mount Size:** 13 x 13

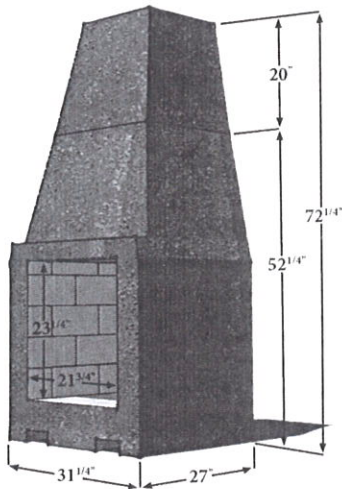


**GUINEVERE**  
**38" Outdoor Fireplace (2-piece)**

- Simple 2-piece mortarless design makes set up quick and easy
- Fork lift pockets built into precast concrete form
- Protective fire brick pre-installed
- Spark arrester mount set in precast chimney
- Ready to be finished with stone, brick or stucco for a custom look
- Accessories available

[Strassen Wall Layer Patterns \(assets/files/guinevere-layers.pdf\)](#)

**Weight:** 1650 lbs  
**Angle Iron Length:** 32"  
**Stone Veneer:** 46 sq ft  
**Stone Veneer Corners:** 28 lin ft  
**Sparker Cap Mount Size:** 13 x 13



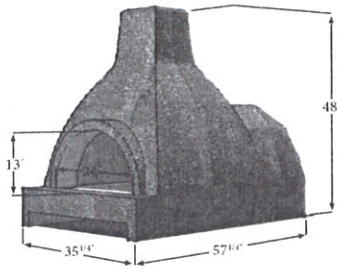
**CAMLANN**  
**31" Outdoor Fireplace (2-Piece)**

- Simple 2-piece mortarless design makes set up quick and easy
- Fork pockets built into precast concrete form
- Protective fire brick pre-installed
- Spark arrester mount set in precast chimney
- Ready to be finished with stone, brick or stucco for a custom look

[Strassen Wall Layer Patterns \(assets/files/camlann-layers.pdf\)](#)

**Weight:** 1220 lbs  
**Angle Iron Length:** 31"  
**Stone Veneer:** 28-32 sq ft  
**Stone Veneer Corners:** 24 lin ft  
**Sparker Cap Mount Size:** 13 x 13

**LANCELOT OUTDOOR OVEN**



- Great for stone fired pizzas and more
- Protective fire brick pre-installed
- Spark arrester mount set in precast chimney
- Custom fit to new or existing outdoor kitchen area
- Ready to be finished with stone, brick or stucco for a custom look

\* Oven must be veneered

[Accessories and Baking Tips > \(products/accessories-and-baking-tips\)](#)

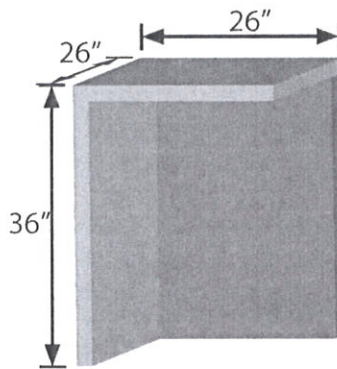
**Weight:** 1500 lbs

**Angle Iron Length:** N/A

**Stone Veneer:** 26-30 sq ft

**Stone Veneer Corners:** 18 lin ft

**Sparker Cap Mount Size:** 9 x 9



### SIDE STORAGE BOX

- Keep wood close and dry
- Adds a flat surface for food preparation, buffet, grilling accessories or decoration
- Ready to be finished to match fireplace exterior
- Installs easily - no mortaring necessary

**Weight:** 260 lbs

**Angle Iron Length:** N/A

**Stone Veneer:** 12 sq ft

**Sparker Cap Mount Size:** N/A

## CREATE YOUR OWN PERSONAL TOUCH

Thank you for visiting © King of Hearths 2014.

Outdoor Products by Borgert

HOME PRODUCTS GALLERY

INSTALLATION & OPERATION FAQ CONTACT

Find us on Facebook