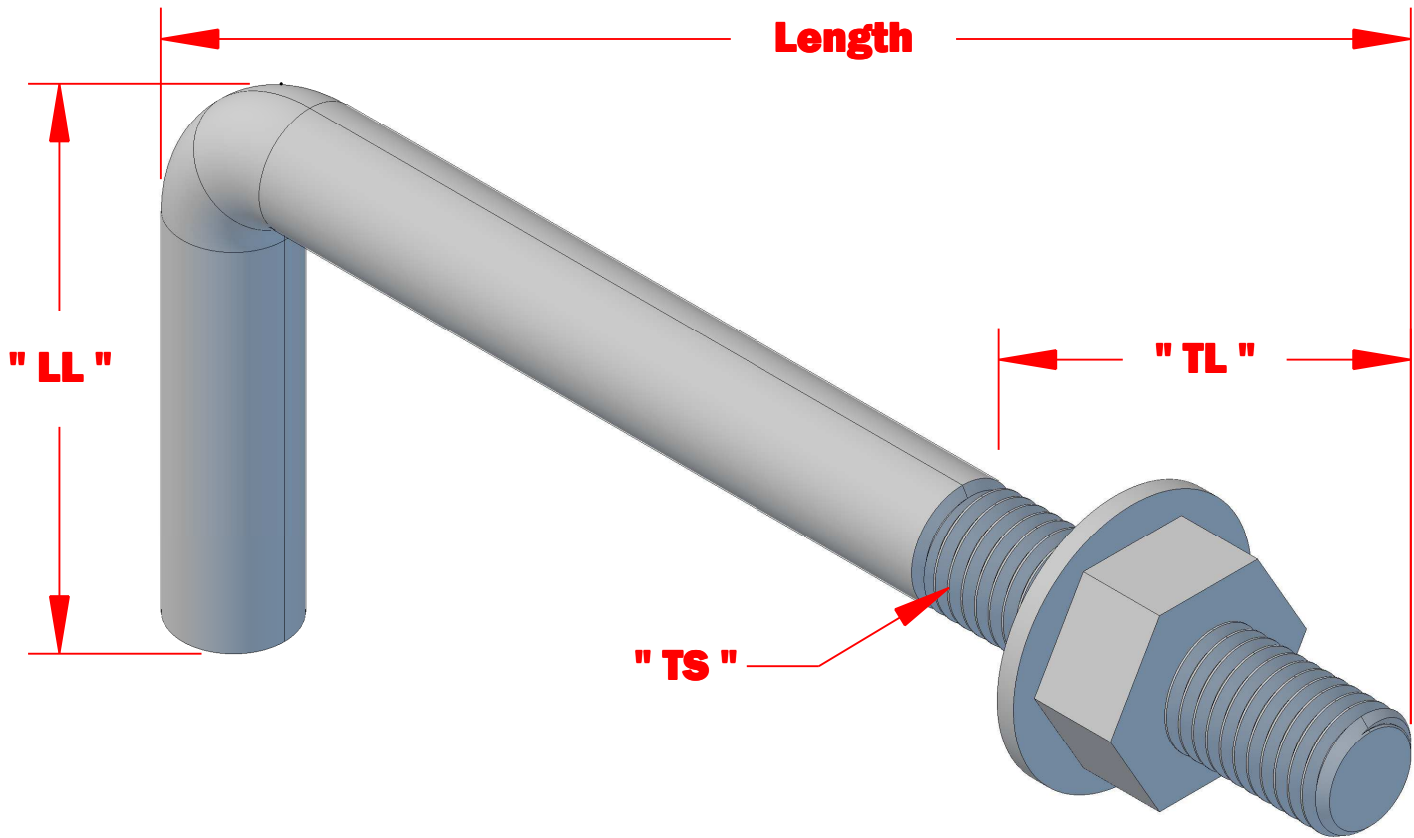


Anchor Bolt



<i>Diameter</i>	<i>" TS "</i> <i>Thread Size</i>	<i>" TL "</i> <i>Thread Length</i>	<i>" LL "</i> <i>Leg length</i>
3/8"	3/8 - 16	1-1/2"	1-5/16"
1/2"	1/2 - 13	2"	1-7/16"
5/8"	5/8 - 11	3-3/4"	2-3/4"
3/4"	3/4 - 10	3-3/4"	3-3/4"
1"	1 - 8	5-3/4"	4-1/4"

Note:

All anchor bolts meet ASTM F1554 Grade 36 Class 2A
All Galvanized anchor bolts meet ASTM F2329