



**HEAT&GLO™**  
No one builds a better fire



**Multi-Sided**  
Direct Vent  
Gas Fireplaces



A different angle  
& another  
point of view.

**ST-550TM** (cover and top) Shown with Modern front in New Bronze

**ST-36TR** (right) Shown with Aero front in Black and electric ember bed





You can see a fireplace as simply the wonderful source of warmth and renewal that it is, but look again. A multi-sided fireplace can also be a room divider, a window, or a dramatic architectural element.

- In popular, flexible sizes—along with a variety of models and options—our multi-sided family is ideal for new construction, renovations and additions alike.
- Pier, See-Through and Corner vent off either the side or top, inspiring creative installation and design ideas.
- Each model offers a direct vent, completely sealed system that draws air for combustion from the outdoors only and expels any combustion by-products outside, maintaining clean indoor air.
- Standard electric ember beds in the Pier and See-Through provide year-round enjoyment of the fireplace, with or without flame.

# Multi-Sided

There's more than one way to look at a gas fireplace.





## Pier

The Pier provides three-sided viewing, and it works perfectly as a room divider or even the base of a bar. Finish with Aero, Arcadia or Chateau Deluxe front.

**Pier-36** shown with Aero front in Black and custom tile.



## Corner

Put a dark, dull corner to better use. This multi-sided model adds light and warmth to any corner, left or right. Finish with an Aero front.

**LCOR-36TRB** shown with Aero front in Black



## See-Through

The See-Through brings two rooms together while letting you design each side differently. Available in 32" and 36" models. Finish with your choice of front or door options.

**ST-550T** shown with CF-550 front in New Bronze and custom tile

# Gateway™

The Gateway goes where other multi-sided fireplaces might not. Our patented draft-assist technology combined with its smaller size means the Gateway can be installed virtually anywhere. Includes top and bottom louver assembly. No front or door required.

**Gateway** shown with custom finishing



## Options

### Aero Front\*



Fits Pier-36, ST-36, ST-550T\* and Corner

### Arcadia Front



Fits Pier-36 and ST-36

### Chateau Deluxe Front



Fits Pier-36, ST-36 and ST-550T\*

### Halston Operable Doors



Fits ST-36 and ST-550T\*

### Galleria Operable Doors



Fits ST-36

### Valencia Operable Doors



Fits ST-36

### Folio Front (Inside Fit)



Fits ST-36  
(Does not overlap)

### CF-550 Front



Fits ST-550T\*

### Modern Front



Fits ST-550TM

## Finishes

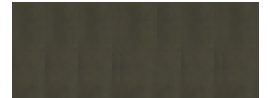
Four rich finishes. High on style, long on durability.



Aged Brass



Black



New Bronze



Graphite

## Ember Bed



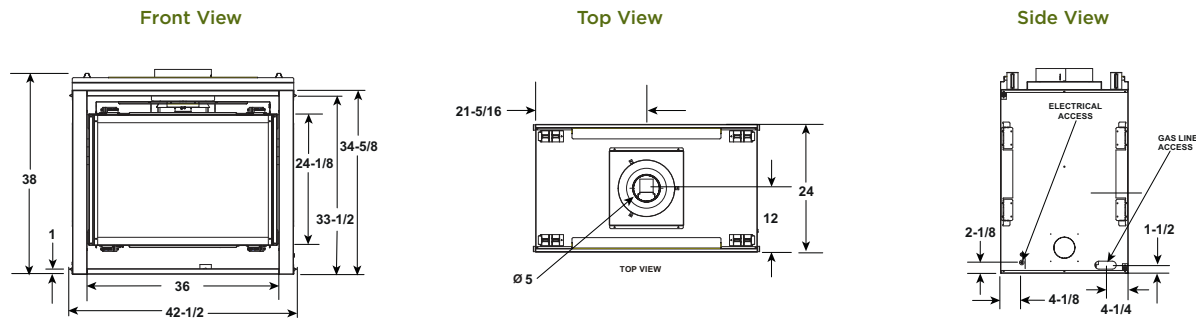
Electric ember bed provides a warm glow with or without flame. Not available on all models.

\*Aero Front and ST-550T fronts are not available in Aged Brass

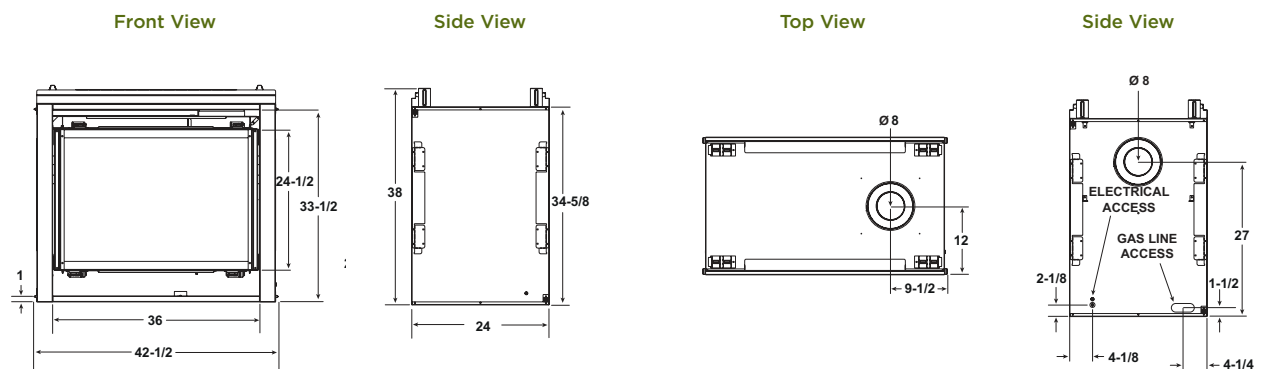
## ST-36 Specifications

MODEL	HEIGHT		FRONT WIDTH		BACK WIDTH		DEPTH		GLASS SIZE	BTU/HOUR INPUT
	Actual	Framing	Actual	Framing	Actual	Framing	Actual	Framing		
ST-36TVB	38	38-1/2	42-1/2	43	42-1/2	43	24	23	36 x 24-1/2	26,000 - 37,000
ST-36TR ST-36TRB	38	38-1/8	42-1/2	43	42-1/2	43	24	23	36 x 24-1/2	26,000 - 37,000

ST-36TVB

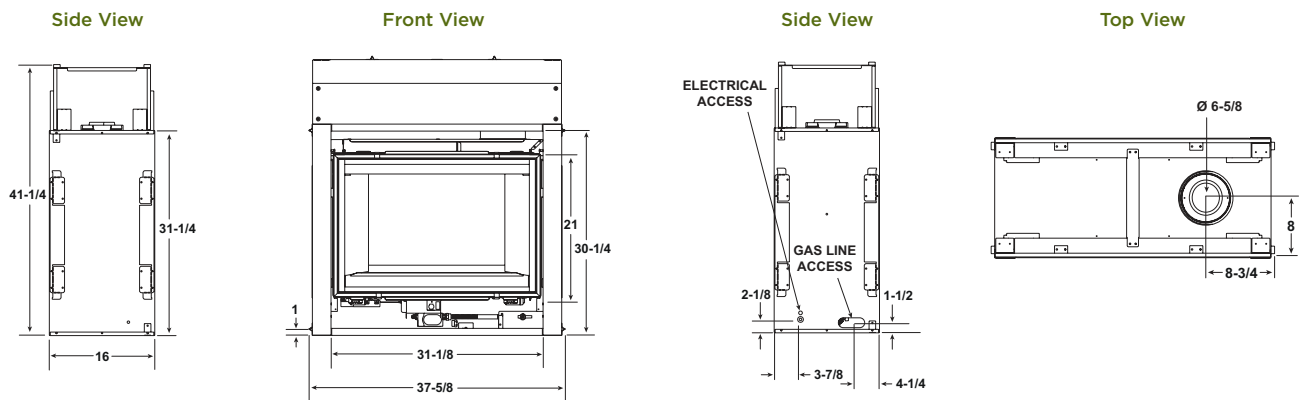


ST-36TRB/ST-36TR



## ST-550TM Specifications

MODEL	HEIGHT		FRONT WIDTH		BACK WIDTH		DEPTH		GLASS SIZE	BTU/Hour INPUT
	Actual	Framing	Actual	Framing	Actual	Framing	Actual	Framing		
ST-550TM	41-1/4	41-1/2	37-5/8	38-1/8	37-5/8	38-1/8	16	15	31 x 21	16,000 - 22,000

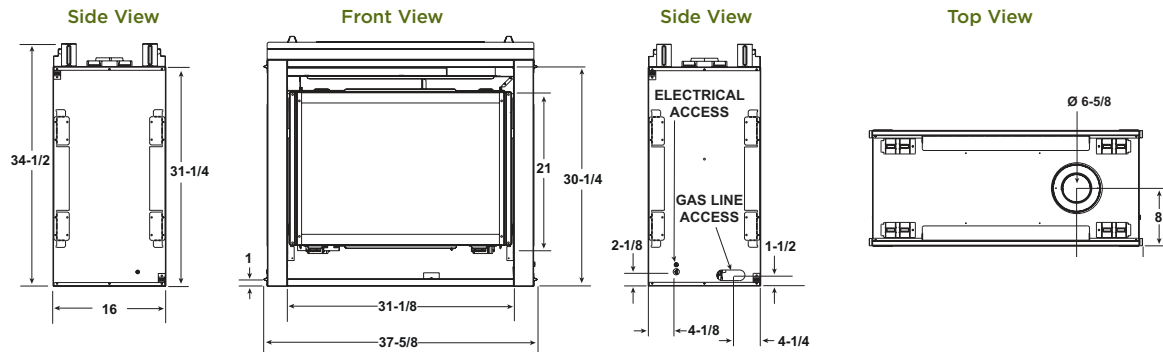


Dimensions shown are in inches. Reference dimensions only. We recommend measuring individual units at installation. Assumes the use of 1/2" Sheetrock. NOTE: Non-combustible material is allowed over this dimension. Make sure you do NOT cover the decorative door opening.

Refer to installation manual for detailed specifications on installing this product. Heat & Glo reserves the right to update units periodically. The flame and ember appearance may vary based on the type of fuel burned and the venting configuration used. Pictures in this brochure are not true representation of the fireplace, flames and/or finishes.

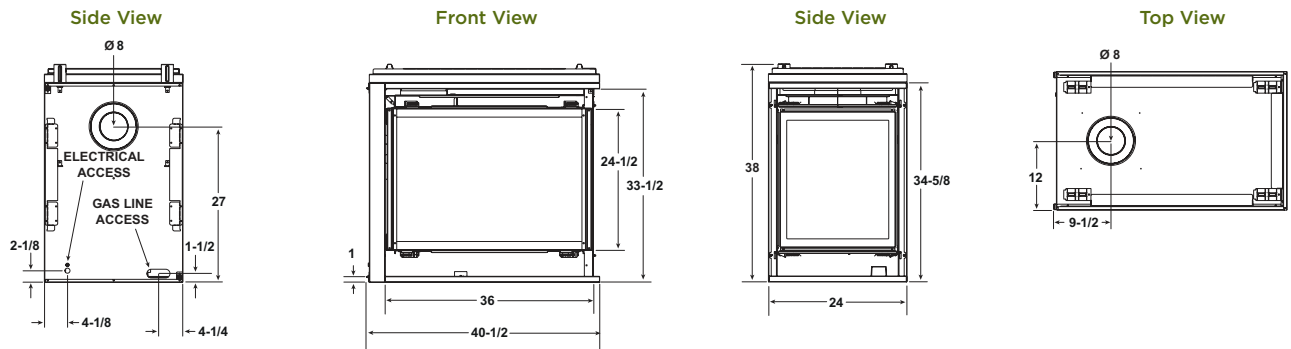
## ST-550T Specifications

MODEL	HEIGHT		FRONT WIDTH		BACK WIDTH		DEPTH		GLASS SIZE	BTU/Hour INPUT
	Actual	Framing	Actual	Framing	Actual	Framing	Actual	Framing		
ST-550T	34-1/2	34-3/4	37-5/8	38-1/8	37-5/8	38-1/8	16	15	31 x 21	14,700 - 21,000



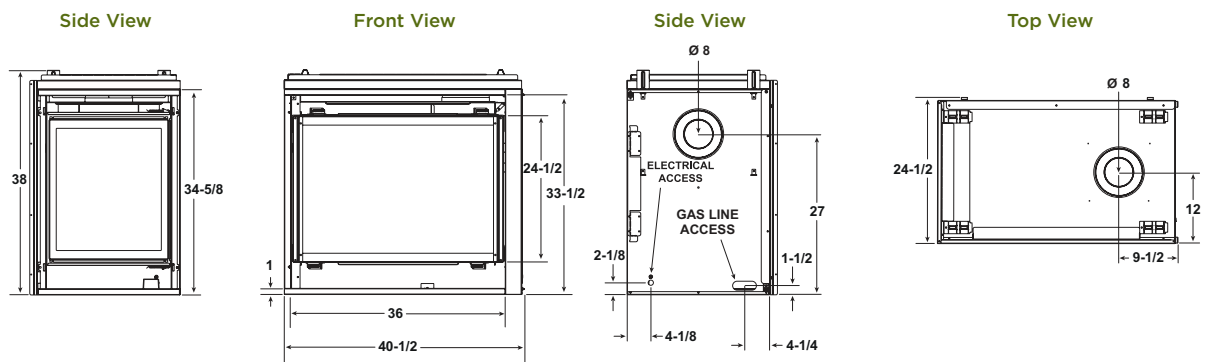
## Pier Specifications

MODEL	HEIGHT		FRONT WIDTH		BACK WIDTH		DEPTH		GLASS SIZE	BTU/Hour INPUT
	Actual	Framing	Actual	Framing	Actual	Framing	Actual	Framing		
PIER-36TR PIER-36TRB	38	38-1/8	40-1/2	40	40-1/2	40	24	23	36 x 24-1/2	26,000 - 37,000



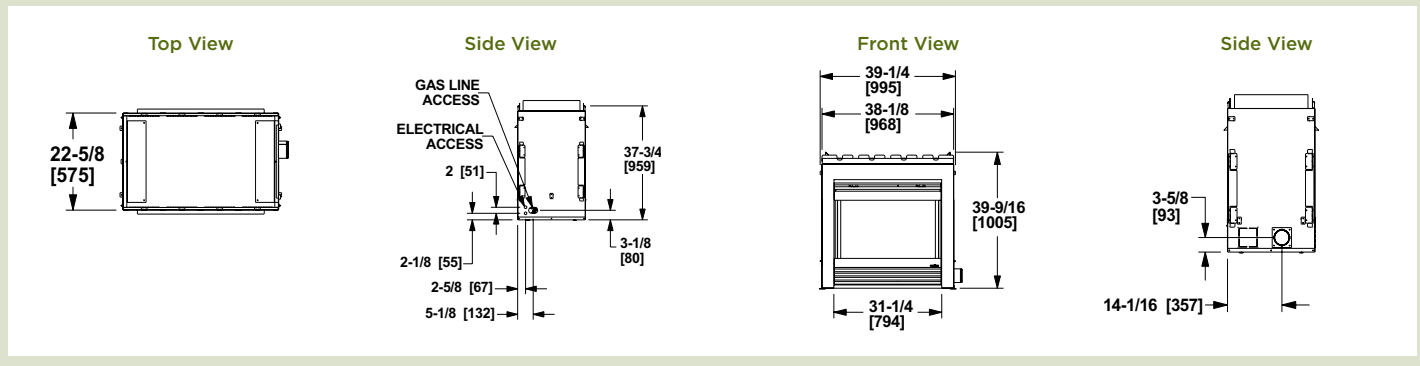
## Corner Specifications

MODEL	HEIGHT		FRONT WIDTH		BACK WIDTH		DEPTH		GLASS SIZE	BTU/Hour INPUT
	Actual	Framing	Actual	Framing	Actual	Framing	Actual	Framing		
LCOR-36TRB RCOR-36TRB	38	38-1/8	40-1/2	40	40-1/2	40	24	23	36 x 24-1/2	26,000 - 37,000



## Gateway Specifications

MODEL	HEIGHT		FRONT WIDTH		BACK WIDTH		DEPTH		GLASS SIZE	BTU/HOUR INPUT (NG)
	Actual	Framing	Actual	Framing	Actual	Framing	Actual	Framing		
GATEWAY	39-3/16	40-1/4	39-1/4	40-1/4	39-1/4	40-1/4	22-5/8	21-5/8	30-1/4 X 20-3/4	35,000



### Healthy Hearth

Our direct vent fireplaces will not alter the quality of indoor room air in any way. They utilize a sealed combustion chamber that draws in fresh air from outdoors and discards all combustion by-products back outside.

### IntelliFire®

Our exclusive, state-of-the-art IntelliFire ignition system reduces gas consumption and thermogenerator wear by providing a pilot flame only when needed. It also supplies a back-up battery system to run the fireplace during a power outage.

### Limited Lifetime Warranty

The strongest in the industry, Heat & Glo provides a lifetime warranty on gas-burning products for their most important aspects: firebox and heat exchanger.

\*For full warranty details, go to [www.heatnglo.com](http://www.heatnglo.com).

**HEAT & GLO™**

For complete information and valuable assistance on this model, please contact us at:

Heat & Glo  
 7571 215th Street West, Lakeville, MN 55044  
 Web: [heatnglo.com](http://heatnglo.com)  
 Phone: (888) 427-3973 (952) 985-6000  
 E-mail: [info@heatnglo.com](mailto:info@heatnglo.com)

A brand of Hearth & Home Technologies, Inc.



HNG-1034U-0409