



HEAT & GLO™

No one builds a better fire



Escape Series
Direct Vent Gas Fireplaces



Above photo: Escape 42 See-Through with bronze Arch Firescreen front

Bottom photo: Escape 42 See-Through with black Firescreen front

Cover photo: Escape-42 shown with bronze Firescreen front and Prairie Ridge Firescreen companions. Cultured Stone's Blended Textures: 80% Bucks County Southern LedgeStone mixed with 20% Bucks County Dressed Fieldstone, and Fireside Furnishings™ Sierra Log Shelf.

A. Patented accent lighting system illuminates the unique brick design and the rich tones of the hand-painted Stratford FireBrick®.

First class
& second
to none



Although Escape is the first gas fireplace in the world to remove all visible firebox sheet metal, what makes it even more exceptional is what we've added: innovative accent lights, mood-setting controls, and the inspired craftsmanship of a masonry fireplace, only better. Quite simply, it's our best.

- Our unique, patented accent lighting system illuminates the interior of the firebox year-round, with or without flame.
- The single-sided 36" and 42" fireplaces feature our one-piece molded firebox is constructed using our patented FireBrick® technology, which radiates more heat and has an authentic cantilevered brick design.
- Clean face design lets surround materials like brick, stone and tile to come flush to the firebox edge for a seamless finish and maximum view of the fire.
- A flush hearth system removes bottom louvers and repositions gas controls, putting the base of the fire at floor level, just like a traditional woodburning fireplace.
- Today's most advanced flame technology creates a beautiful, robust and realistic fire.
- Available in two single-sided sizes: 36", perfect for most homes; or 42", great for larger rooms.
- See-Through available in 42" size only.

B. Escape-36 shown with bronze Firescreen front and Prairie Ridge Firescreen Companions.

C. Mystifire® burner intensifies the flame and conceals unsightly tubes and lines.



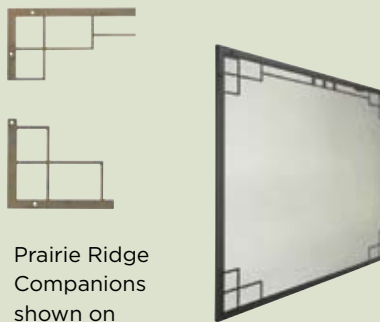
Escape

We started with the best in mind, then made it even better.

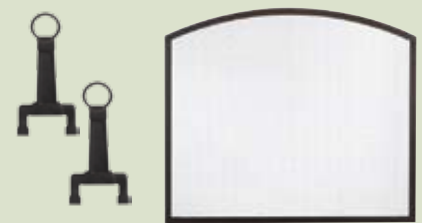
Firescreen Front and Companions The Firescreen front can be enjoyed unadorned; or you can purchase one of these two Firescreen companions to attach to the front's exterior, adding a distinctive touch of corner detail. Available in black, bronze or pewter to match or contrast with the front.



Carriage Hill Companions shown on Firescreen front



Prairie Ridge Companions shown on Firescreen front

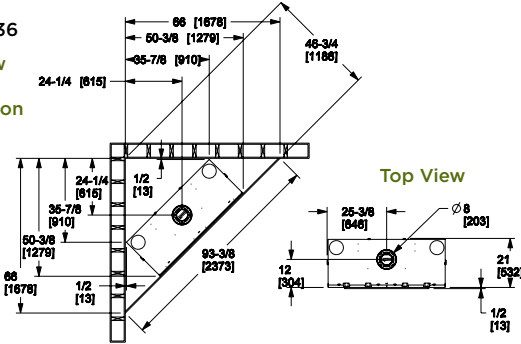


Andirons or Arched Firescreen front available for Escape-ST only

Escape Specifications

MODEL	HEIGHT		FRONT WIDTH		BACK WIDTH		DEPTH		GLASS SIZE	Btu/Hour Input
	Actual	Framing	Actual	Framing	Actual	Framing	Actual	Framing		
Escape-36DV	35-1/2	46	50-7/8	51-1/2	50-7/8	51-1/2	21	22	36 x 30	31,000-40,000 (NG)
	41-3/8	52-1/2	56-7/8	57-1/2	48	57-1/2	21	22		
Escape-ST	46-3/8	46-1/2	59-15/16	60-1/4	59-15/16	60-1/4	30	30	39-7/16 x 35-1/8	43,500 - 57,500 (NG)

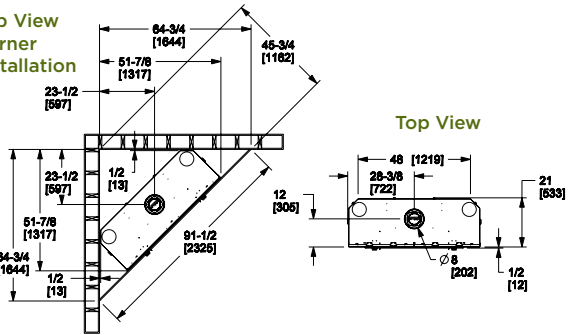
Escape 36
Top View
Corner
Installation



Side View

Front View

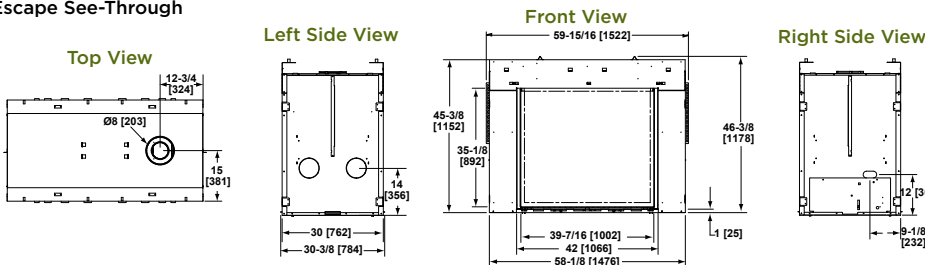
Escape 42
Top View
Corner
Installation



Side View

Front View

Escape See-Through



Dimensions above are in inches. Reference dimensions only. We recommend measuring individual units at installation. Assumes the use of 1/2" Sheetrock. NOTE: Non-combustible material is allowed over this dimension. Make sure you do NOT cover the decorative door opening.

Refer to installation manual for detailed specifications on installing this product. Heat & Glo reserves the right to update units periodically. The flame and ember appearance may vary based on the type of fuel burned and the venting configuration used. Pictures in this brochure are not true representation of the fireplace, flames and/or finishes.

Heat Zone®

Heat Zone climate control system turns your fireplace into a flexible, energy-saving heat source by transferring excess heat from your fireplace to other locations in your home.

For complete information and valuable assistance on this model, please contact us at:

Healthy Hearth

Our direct vent fireplaces will not alter the quality of indoor room air in any way. The sealed combustion chamber draws in fresh air from outdoors and discards all combustion by-products back outside.

Limited Lifetime Warranty*

The strongest in the industry, Heat & Glo provides a limited lifetime warranty on gas-burning products for their most important aspects: firebox and heat exchanger.

*For full warranty details, go to www.heatnglo.com

HEAT & GLO

7571 215th Street West, Lakeville, MN 55044
(888) 427-3973 (952) 985-6000

Email: info@heatnglo.com
Web: heatnglo.com

A brand of Hearth & Home Technologies, Inc.

EFFICIENCIES*

Escape MODEL	36DV	42DV	ST
Thermal	75+%	75+%	75+%
AFUE	61%	60%	62%
Canada Ener-Guide	57%	60%	60%

Canada

ENERGUIDE

Look for the EnerGuide
Gas Fireplace Energy
Efficiency Rating in this brochure

Based on CSA P.4.1-02

*Heating capacity may differ due to climate, building construction, installation, location of the unit, and comfort level desired.

